

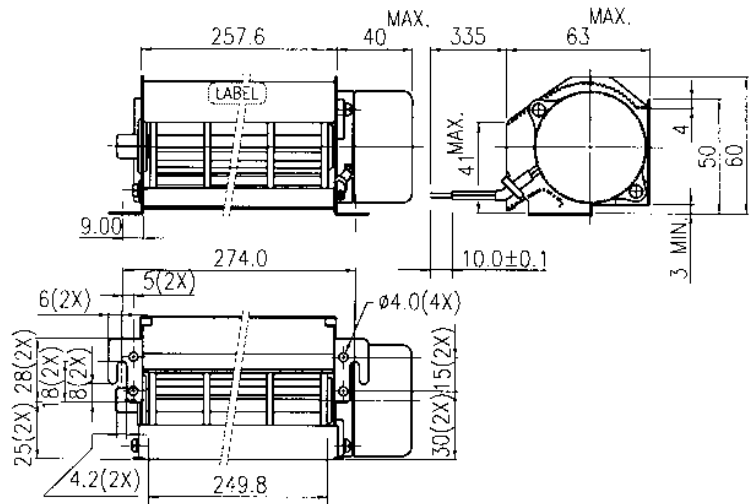


BRUSHLESS DC CROSS FLOW FAN

CFS SERIES

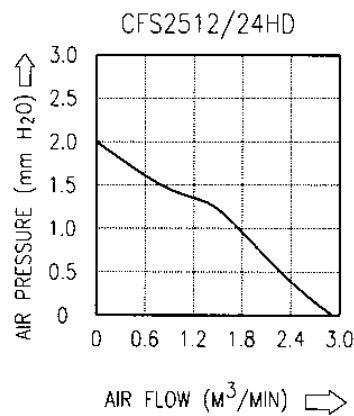


DIMENSIONS DRAWING



UNIT: mm

P & Q CURVE (AT RATED VOLTAGE)



MODEL	Rated Voltage	Operating Voltage Range	Rated Current	Rated Input Power	Speed	Maximum Air Flow		Maximum Air Pressure		Noise
	VDC	VDC	Amp	Watt		R.P.M.	m ³ /min	CFM	mmH ₂ O	
CFS2512HD	12	7.0 to 13.8	1.10	13.20	2500	1.90	67.10	2.65	0.10	45.5
CFS2524HD	24	21.6 to 26.4	0.48	11.52						

• All readings are typical values.

Specifications are subject to change without notice.