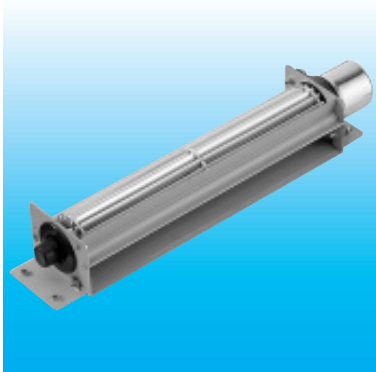


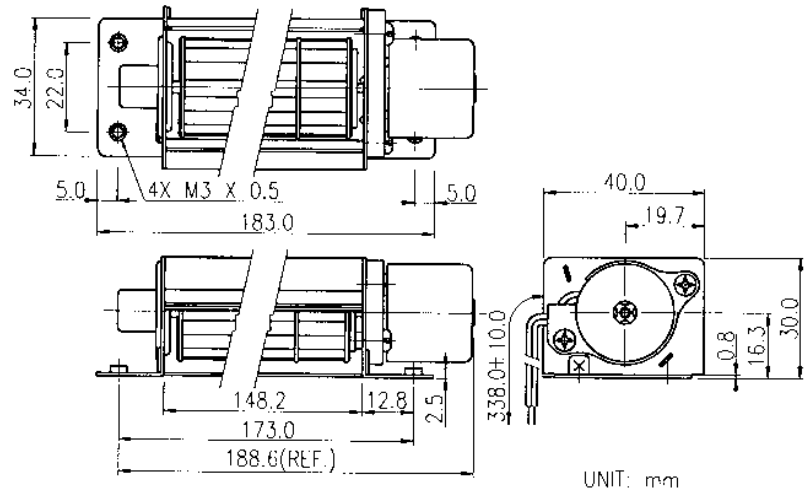
BRUSHLESS DC CROSS FLOW FAN

CFS SERIES

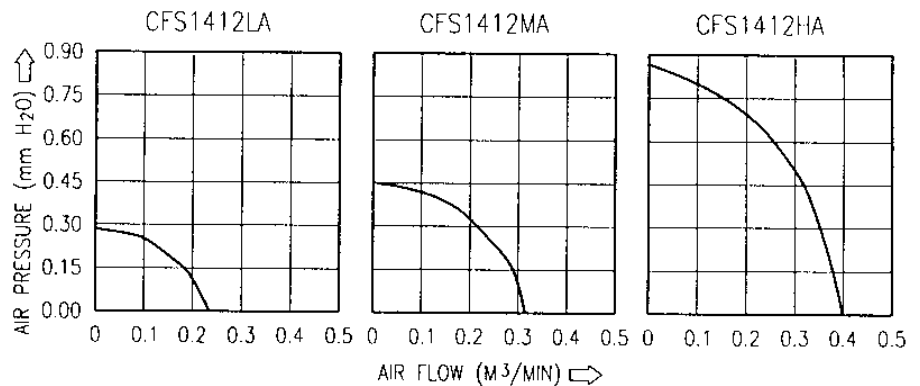


- Bearing Type
Sleeve Bearing
- Material
Impeller: Aluminum
Frame: SECC
- Lead Wires
UL 1007 AWG #24 or equivalent
Red Wire - Positive (+)
Black Wire - Negative (-)
- Weight: 140g (4.94 OZ)

DIMENSIONS DRAWING



P & Q CURVE (AT RATED VOLTAGE)



MODEL	Rated Voltage	Operating Voltage Range	Rated Current	Rated Input Power	Speed	Maximum Air Flow		Maximum Air Pressure		Noise
	VDC	VDC	Amp	Watt	R.P.M.	m ³ /min	CFM	mmH ₂ O	IN H ₂ O	dB-A
CFS1412LA	12	7.0 to 13.8	0.05	0.60	2200	0.24	8.47	0.25	0.010	25.0
CFS1412MA	12	7.0 to 13.8	0.10	1.20	2800	0.32	11.30	0.45	0.017	30.0
CFS1412HA	12	7.0 to 13.8	0.12	1.44	3400	0.40	14.12	0.85	0.033	35.0

• All readings are typical values.