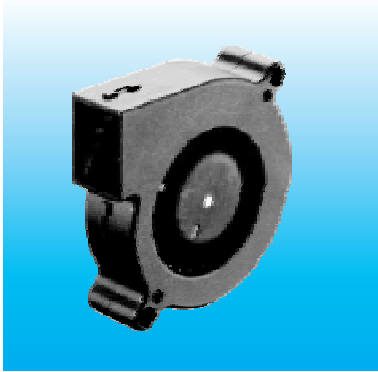
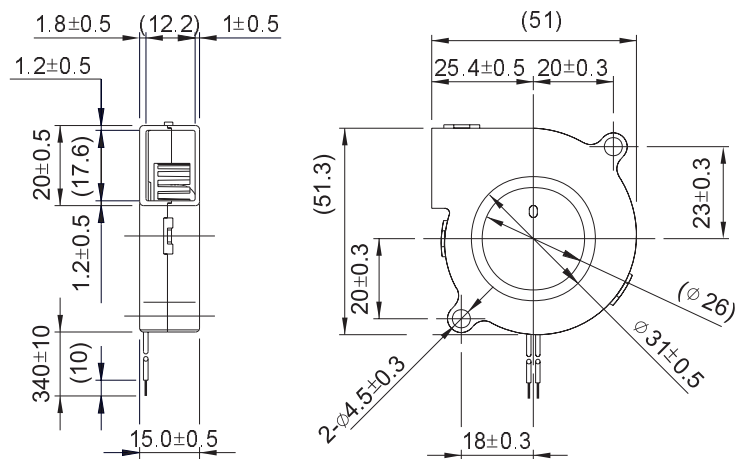


BRUSHLESS DC BLOWER

BFB 51 x 51 x 15 MM SERIES



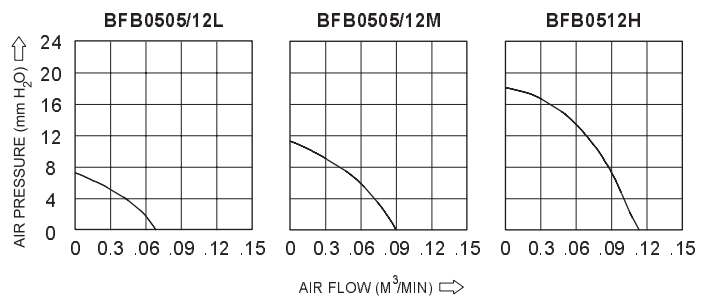
■ DIMENSIONS DRAWING:



UNIT: mm

- Bearing Type
Two Ball Bearing
- Material
Impeller & Frame: Plastic (UL 94V-0)
- Lead Wires
UL 1061 AWG #26 or equivalent
Red Wire - Positive (+)
Black Wire - Negative (-)
- Weight: 28g (1.05 OZ)

■ P & Q CURVE (AT RATED VOLTAGE)



MODEL		Rated Voltage	Operating Voltage Range	Rated Current	Rated Input Power	Speed	Maximum Air Flow		Maximum Air Pressure		Noise
PART NO.	FUNCTION	VDC	VDC	Amp	Watt	R.P.M.	m ³ /min	CFM	mmH ₂ O	IN H ₂ O	dB-A
BFB0505L	-R00 / -FOO	5	4 to 5.5	0.14	0.70	3500	0.07	2.50	7.0	0.27	26.5
BFB0512L	-R00 / -FOO	12	10 to 13.8	0.07	0.84						
BFB0505M	-R00 / -FOO	5	4 to 5.5	0.33	1.65	4500	0.09	3.20	11.0	0.43	32.5
BFB0512M	-R00 / -FOO	12	10 to 13.8	0.10	1.20						
BFB0512H	-R00 / -FOO	12	10 to 13.8	0.16	1.92	5500	0.11	4.00	18.0	0.71	38.0

* Function type is optional.

* The max. air flow and the speed are measured in free air ; max. air pressure measured at zero air flow.

* Noise is measured in anechoic chamber in free air, one meter from intake side.

* All readings are typical values at rated voltage.

* Specifications are subject to change without notice.