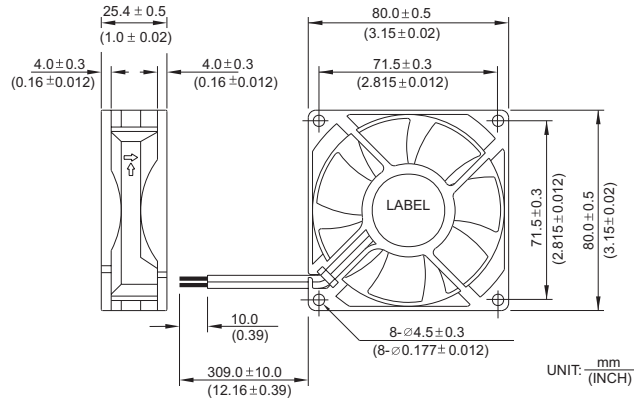
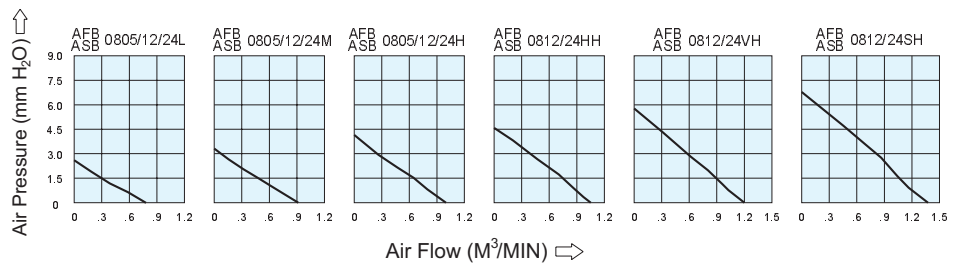


AFB & ASB 80 x 80 x 25 MM SERIES

DIMENSIONS DRAWING



P & Q CURVE (AT RATED VOLTAGE)



- * Bearing Type
Two Ball Bearings Or One Sleeve Bearing
- * Material
Impeller & Frame : Plastic (UL 94V-0)
- * Lead Wires :
UL 1007 AWG #24 Or Equivalent
Red Wire Positive (+)
Black Wire Negative (-)
- * Weight : 80g (2.82 OZ)

MODEL		Rated Voltage	Operating Voltage Range	Rated Current	Rated Input Power	Speed	Maximum Air Flow			Maximum Air Pressure		Noise
TWO BALLS	FUNCTION	VDC	VDC	Amp	Watt	R.P.M.	m ³ /min	CFM	mmH ₂ O	IN H ₂ O	dB-A	
AFB0805L	/ -F00	5	4.5 to 5.5	0.24	1.20	2400	0.79	27.9	2.59	0.102	25.0	
AFB0812L	-R00 / -F00	12	7.0 to 13.8	0.09	1.08							
AFB0824L	-R00 / -F00	24	14.0 to 27.6	0.05	1.20							
AFB0805M	/ -F00	5	4.5 to 5.5	0.33	1.65	2700	0.89	31.4	3.28	0.129	28.0	
AFB0812M	-R00 / -F00	12	7.0 to 13.8	0.12	1.44							
AFB0824M	-R00 / -F00	24	14.0 to 27.6	0.06	1.44							
AFB0805H	/ -F00	5	4.5 to 5.5	0.43	2.15	3000	1.00	35.3	4.04	0.159	31.0	
AFB0812H	-R00 / -F00	12	7.0 to 13.8	0.16	1.92							
AFB0824H	-R00 / -F00	24	14.0 to 27.6	0.07	1.68							
AFB0812HH	-R00 / -F00	12	7.0 to 13.8	0.20	2.40	3250	1.06	37.4	4.59	0.181	34.0	
AFB0824HH	-R00 / -F00	24	14.0 to 27.6	0.09	2.16							
AFB0812VH	-R00 / -F00	12	7.0 to 13.8	0.26	3.12	3600	1.19	42.0	5.51	0.217	38.0	
AFB0824VH	-R00 / -F00	24	14.0 to 27.6	0.14	3.36							
AFB0812SH	-R00 / -F00	12	7.0 to 13.8	0.34	4.08	4000	1.32	46.1	6.78	0.267	40.0	
AFB0824SH	-R00 / -F00	24	14.0 to 26.0	0.16	3.84							
ONE SLEEVE	FUNCTION	VDC	VDC	Amp	Watt	R.P.M.	m ³ /min	CFM	mmH ₂ O	IN H ₂ O	dB-A	
ASB0824L	-R00 / -F00	24	14.0 to 27.6	0.05	1.20	2400	0.79	27.9	2.59	0.012	25.0	
ASB0824M	-R00 / -F00	24	14.0 to 27.6	0.06	1.44	2700	0.89	31.4	3.28	0.129	28.0	
ASB0824H	-R00 / -F00	24	14.0 to 27.6	0.07	1.68	3000	1.00	35.3	4.04	0.159	31.0	
ASB0812HH	-R00 / -F00	12	7.0 to 13.8	0.20	2.40	3250	1.06	37.4	4.59	0.181	34.0	
ASB0824HH	-R00 / -F00	24	14.0 to 27.6	0.09	2.16							

* Function type is optional.
 * The max. air flow and the speed are measured in free air ; max. air pressure is measured at zero air flow.
 * Noise is measured in anechoic chamber in free air, one meter from intake side.
 * All readings are typical values at rated voltage.
 * Specifications are subject to change without notice.