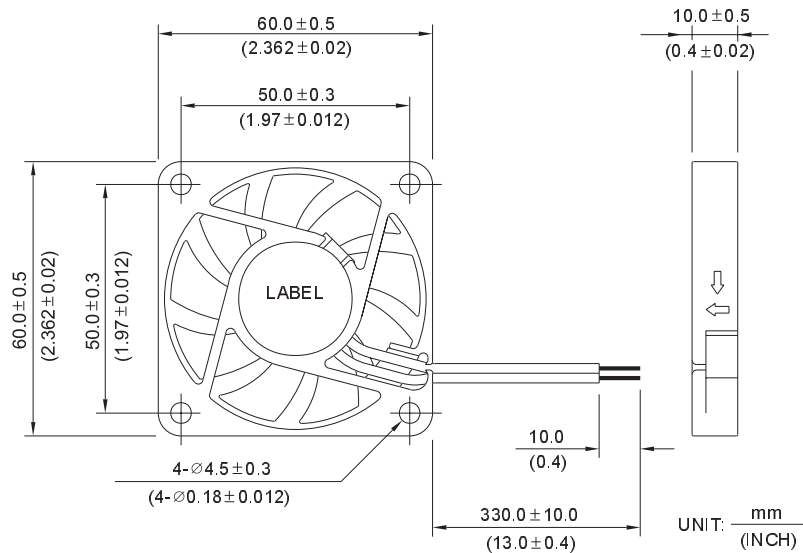


**NEW**



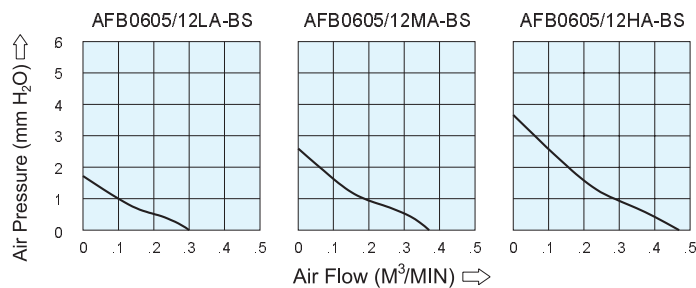
# AFB 60 x 60 x 10 MM SERIES

## DIMENSIONS DRAWING



- \* Bearing Type  
One Ball, One Sleeve Bearings
- \* Material  
Impeller & Frame : Plastic (UL 94V-0)
- \* Lead Wires :  
UL 2468 AWG #28 Or Equivalent  
Red Wire Positive (+)  
Black Wire Negative (-)
- \* Weight : 35g (1.23 OZ)
- \* Rib Type Only

## P & Q CURVE (AT RATED VOLTAGE)



MODEL		Rated Voltage	Operating Voltage Range	Rated Current	Rated Input Power	Speed	Maximum Air Flow		Maximum Air Pressure		Noise
PART NO.	FUNCTION	VDC	VDC	Amp	Watt	R.P.M.	m <sup>3</sup> /min	CFM	mmH <sub>2</sub> O	IN H <sub>2</sub> O	dB-A
AFB0605LA-BS	-R00 / .F00	5	4.5 to 5.5	0.16	0.80	3500	0.30	10.7	1.88	0.074	27.0
AFB0612LA-BS	-R00 / .F00	12	7.0 to 13.8	0.07	0.84						
AFB0605MA-BS	-R00 / .F00	5	4.5 to 5.5	0.22	1.10	4200	0.37	13.1	2.68	0.106	31.0
AFB0612MA-BS	-R00 / .F00	12	7.0 to 13.8	0.10	1.20						
AFB0605HA-BS	-R00 / .F00	5	4.5 to 5.5	0.32	1.60	5000	0.47	16.6	3.62	0.143	35.0
AFB0612HA-BS	-R00 / .F00	12	7.0 to 13.8	0.18	2.16						

\* Function type is optional.  
 \* The max. air flow and the speed are measured in free air ; max. air pressure is measured at zero air flow.  
 \* Noise is measured in anechoic chamber in free air, one meter from intake side.  
 \* All readings are typical values at rated voltage.  
 \* Specifications are subject to change without notice.