

BUSHINGS FOR ELECTRICAL APPLICATIONS

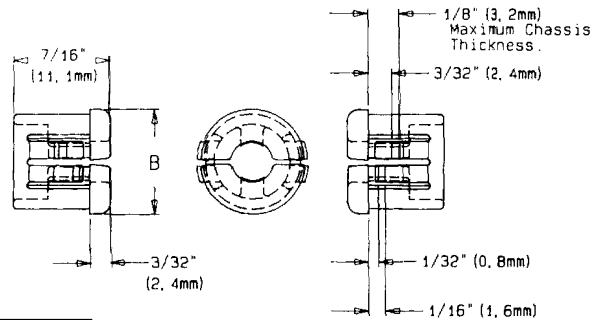
SNUB BUSHINGS

Available Material: Nylon 6/6

Color: Black

Underwriters' Laboratories File #E-15331
 Canadian Standards Association File #LR-8919
 Flammability: 94V-2.

Temperature index: 125°C.
 Maximum temperature on the part should not exceed 105°C.
 Suitable for 1/8" (3,2mm) to 1/4" (6,4mm) diameter cable,
 tubing or hose.



Part No. CN114 - (Size Code No.)

| Size Code No. | Approximate Cable Dia. | | Mounting Hole Dia. | | UL/CSA Description | B Head Dia. | |
|---------------|------------------------|-----|--------------------|------|--------------------|-------------|------|
| | in. | mm | in. | mm | | in. | mm |
| -1 | 1/8 | 3.2 | .375 | 9,5 | K 375-125 | 15/32 | 11,9 |
| -2 | 3/16 | 4,8 | .437 | 11,1 | K 437-187 | 15/32 | 11,9 |
| -3 | 1/4 | 6,3 | .500 | 12,7 | K 500-250 | 9/16 | 14,3 |

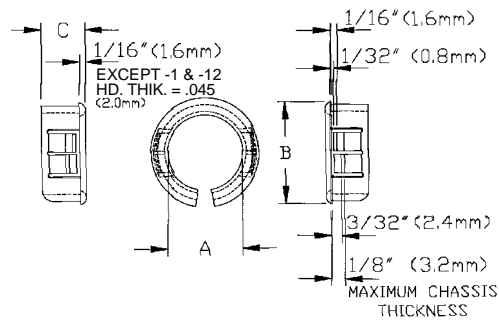
OPEN/CLOSED BUSHINGS

Available Material: Nylon 6/6

Color: Black

Underwriters' Laboratories File #E-15331
 Canadian Standards Association File #LR-8919
 Flammability: 94V-2.

Temperature index: 125°C.
 Maximum temperature on the part should not exceed 105°C.



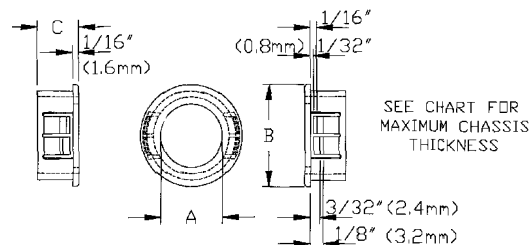
Part No. CN115 - (Size Code No.)

| Size Code No. | CHASSIS DIMENSIONS | | | | UL/CSA Description | PART DIMENSIONS | | | | | |
|---------------|--------------------|-----|--------------------|------|--------------------|-----------------|------|-------------|------|----------------|------|
| | Maximum Thickness | | Mounting Hole Dia. | | | A Inside Dia. | | B Head Dia. | | C Overall Hgt. | |
| | In. | mm | In. | mm | In. | mm | In. | mm | In. | mm | |
| -1 | | | .375 | 9,5 | OCB-375 | 17/64 | 6,7 | 27/64 | 10,7 | 25/64 | 9,9 |
| -2 | .125 | 3,2 | .437 | 11,1 | OCB-437 | 5/16 | 7,9 | 31/64 | 12,3 | 13/32 | 10,3 |
| -3 | | | .500 | 12,7 | OCB-500 | 5/16 | 7,9 | 9/16 | 14,3 | | |
| -4 | | | .562 | 14,3 | OCB-562 | 25/64 | 9,9 | 41/64 | 16,3 | | |
| -5 | | | .625 | 15,9 | OCB-625 | 29/64 | 11,5 | 11/16 | 17,5 | | |
| -6 | | | .750 | 19,0 | OCB-750 | 35/64 | 13,9 | 51/64 | 20,2 | | |
| -7 | | | .875 | 22,2 | OCB-875 | 43/64 | 17,0 | 59/64 | 23,4 | | |
| -8 | | | 1.000 | 25,4 | OCB-1000 | 13/16 | 20,6 | 1-1/16 | 27,0 | | |
| -9 | | | 1.093 | 27,8 | OCB-1093 | 7/8 | 22,0 | 1-1/8 | 28,6 | | |
| -10 | | | 1.250 | 31,8 | OCB-1250 | 1-3/64 | 26,6 | 1-11/32 | 34,1 | | |
| -11 | | | 1.375 | 34,9 | OCB-1375 | 1-11/64 | 29,7 | 1-15/32 | 37,3 | | |
| -12 | | | 1.500 | 38,1 | OCB-1500 | 1-1/4 | 31,7 | 1-37/64 | 40,1 | | |

SNAP BUSHINGS

Available Material: Nylon 6/6
 Color: Black or White

Underwriters' Laboratories File #E-15331
 Canadian Standards Association File #LR-8919
 Flammability: 94V-2.
 Temperature index: 125°C.
 Maximum temperature on the part should not exceed 105°C.



Part No. CN116 - (Size Code No.)

| Size Code No. Black White | CHASSIS DIMENSIONS | | UL/CSA Description | PART DIMENSIONS | | | | | | | | | |
|------------------------------|-----------------------|-------|--------------------|------------------------|------------|----------------------|----------|--------------------|------|-----------------------|----------|-------|------|
| | Maximum Thickness In. | mm | | Mounting Hole Dia. In. | mm | A Inside Dia. In. mm | | B Head Dia. In. mm | | C Overall Hgt. In. mm | | | |
| -1 -2 | .040 | 1,0 | .250 | 6,4 | 1/8 | 3,2 | 5/16 | 7,9 | 5/16 | 7,9 | | | |
| -3 -4 | .062 | 1,6 | .250 | 6,4 | | | | | | | SB 250-2 | | |
| -5 -6 | | | .312 | 7,9 | SB 312-3 | 3/16 | 4,8 | 3/8 | | | 9,5 | | |
| -7 -8 | .125 | 3,2 | .375 | 9,5 | SB 375-3 | 3/16 | 4,8 | 15/32 | 11,9 | | | | |
| -9 -10 | | | | | SB 375-4 | 1/4 | 6,4 | | | | | | |
| -11 -12 | .171 | 4,3 | | | SB 375-281 | 9/32 | 7,1 | | | | | | |
| -13 -14 | | | .437 | 11,1 | SB 437-4 | .270 | 6,8 | 17/32 | 13,5 | | | | |
| -15 -16 | | | | | SB 437-5 | 5/16 | 7,9 | | | | | | |
| -17 -18 | | | | | SB 437-243 | .243* | 6,2 | | | | | | |
| -19 -20 | .125 | 3,2 | .500 | 12,7 | SB 500-4 | 1/4 | 6,4 | 37/64 | 14,7 | 13/32 | 10,3 | | |
| -21 -22 | | | | | SB 500-5 | 5/16 | 7,9 | | | | | | |
| -23 -24 | | | | | SB 500-6 | 3/8 | 9,5 | | | | | | |
| -25 -26 | | | | | SB 562-5 | 5/16 | 7,9 | | | | | | |
| -27 -28 | | | .562 | 14,3 | SB 562-6 | 3/8 | 9,5 | 21/32 | 16,7 | | | | |
| -29 -30 | | | | | SB 562-7 | 7/16 | 11,1 | | | | | | |
| -31 -32 | | | .625 | 15,9 | SB 625-4 | 1/4 | 6,4 | 23/32 | 18,2 | | | | |
| -33 -34 | | | | | SB 625-7 | 7/16 | 11,1 | | | | | | |
| -35 -36 | | | | | SB 625-8 | 1/2 | 12,7 | | | | | | |
| -37 -38 | .250 | 6,4 | .625 | 15,9 | SB 625-500 | .500* | 12,7 | 45/64 | 17,9 | 17/32 | 13,5 | | |
| -39 -40 | .125 | 3,2 | .687 | 17,4 | SB 687-8 | 1/2 | 12,7 | 25/32 | 19,8 | | | | |
| -41 -42 | | | | | SB 687-9 | 9/16 | 14,13 | | | | | | |
| -43 -44 | | | | | .750 | 19,1 | SB 750-6 | 3/8 | 9,5 | 27/32 | 21,4 | 13/32 | 10,3 |
| -45 -46 | | | | | | | SB 750-8 | 1/2 | 12,7 | | | | |
| -47 -48 | SB 750-9 | 9/16 | 14,3 | | | | | | | | | | |
| -49 -50 | SB 750-10 | 39/64 | 15,5 | | | | | | | | | | |
| -51 -52 | .250 | 6,4 | | | SB 750-625 | .625* | 5,9 | 53/64 | 21,0 | 17/32 | 13,5 | | |
| -53 -54 | | | .812 | 20,6 | SB 812-9 | 9/16 | 14,3 | 57/64 | 22,6 | 13/32 | 10,3 | | |
| -55 -56 | | | | | SB 812-10 | 5/8 | 15,9 | | | | | | |
| -57 -58 | .125 | 3,2 | .875 | 22,2 | SB 875-6 | 3/8 | 9,5 | 61/64 | 24,2 | 29/64 | 11,5 | | |
| -59 -60 | | | | | SB 875-7 | 7/16 | 11,1 | | | | | | |
| -61 -62 | | | | | SB 875-8 | 1/2 | 12,7 | | | | | | |
| -63 -64 | | | | | SB 875-9 | 9/16 | 14,3 | | | | | | |
| -65 -66 | | | | | SB 875-10 | 5/8 | 15,9 | | | | | | |
| -67 -68 | | | | | SB 875-11 | 11/16 | 17,4 | | | | | | |
| -69 -70 | | | 1.000 | 25,4 | SB 1000-12 | 3/4 | 19,1 | 1-1/8 | 28,6 | | | | |
| -71 -72 | | | 1.093 | 27,8 | SB 1093-13 | 13/16 | 20,6 | 1-7/32 | 30,9 | | | | |
| -73 -74 | | | | | SB 1093-14 | 7/8 | 22,2 | | | | | | |
| -75 -76 | | | | | SB 1093-15 | | | | | | | | |
| -77 -78 | | | | | | | | | | | | | |

* +.015-.000

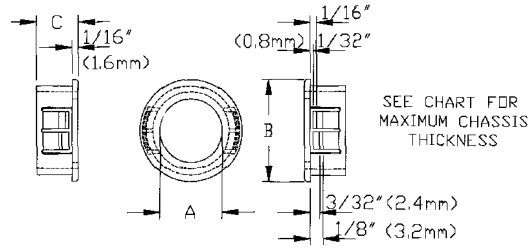
BUSHINGS FOR ELECTRICAL APPLICATIONS (continued)

SNAP BUSHINGS (continued)

Available Material: Nylon 6/6

Color: Black or White

Underwriters' Laboratories File #E-15331
 Canadian Standards Association File #LR-8919
 Flammability: 94V-2.
 Temperature index: 125°C.
 Maximum temperature on the part should not exceed 105°C.



Part No. CN116 - (Size Code No.)

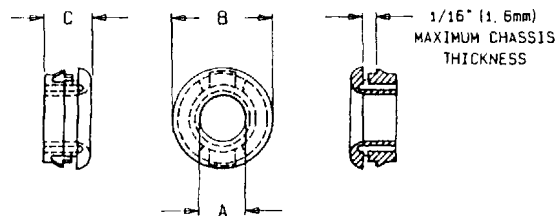
| Size Code No. Black White | CHASSIS DIMENSIONS | | UL/CSA Description | PART DIMENSIONS | | | | | |
|------------------------------|-----------------------------|------------------------------|--------------------|----------------------------|------|--------------------------|-------|-----------------------------|------|
| | Maximum Thickness in. mm | Mounting Hole Dia. in. mm | | A Inside Dia. in. mm | | B Head Dia. in. mm | | C Overall Hgt. in. mm | |
| -79 -80 | .125 3,2 | 1.187 30,1 | SB 1187-15 | 15/16 | 23,8 | 1-5/16 | 33,3 | 29/64 11,5 | 11,5 |
| -81 -82 | | | | 15/16 | 23,8 | 1-23/64 | 34,5 | | |
| -83 -84 | | | | 1 | 25,4 | 1-19/64 | 33,2 | | |
| -85 -86 | | | | 7/8 | 22,2 | 1-15/32 | 37,3 | | |
| -87 -88 | | | | 1 | 25,4 | | | | |
| -89 -90 | | | | 1-1/16 | 27,0 | 1-39/64 | 40,9 | | |
| -91 -92 | | | | 1-1/8 | 28,6 | | | | |
| -93 -94 | 1-5/16 | 33,3 | | | | | | | |
| -95 -96 | 1.750 | 44,5 | SB 1750-22 | 1-3/8 | 34,9 | 1-7/8 | 47,6 | | |
| -97 -98 | 2.000 | 50,8 | SB 2000-22 | 1-41/64 | 41,6 | 2-1/8 | 54,0 | | |
| -970 -980 | | | | 1-3/4 | 44,5 | 2-1/8 | 54,0 | | |
| -99 -100 | .250 6,4 | 2.250 57,2 | SB 2.25-29 | 1-55/64 | 47,1 | 2-31/64 | 63,1 | 23/32 18,3 | 18,3 |
| -101 -102 | | | | 1-31/32 | 50,0 | 2-21/32 | 67,5 | | |
| -103 -104 | | | | 2-15/32 | 62,7 | 3-5/32 | 80,2 | | |
| -105 -106 | | | | 2-15/16 | 74,7 | 3-21/32 | 93,0 | | |
| -107 -108 | | | | 3-7/16 | 88,4 | 4-11/64 | 105,9 | | |

DOUBLE INSULATED BUSHINGS

Available Material: Nylon 6/6

Color: Black or White

Underwriters' Laboratories File #E-15331
 Canadian Standards Association File #LR-8919
 Flammability: 94V-2.
 Temperature index: 125°C.
 Maximum temperature on the part should not exceed 105°C.



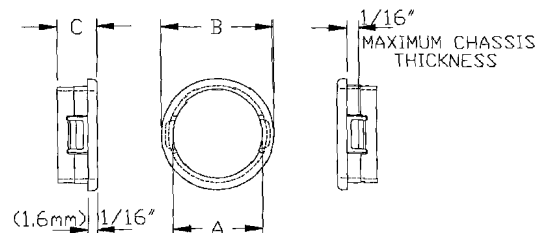
Part No. CN119 - (Size Code No.)

| Size Code No. Black White | CHASSIS DIMENSIONS | | UL/CSA Description | PART DIMENSIONS | | | | | |
|------------------------------|-----------------------------|------------------------------|--------------------|----------------------------|-----|--------------------------|------|-----------------------------|-----|
| | Maximum Thickness In. mm | Mounting Hole Dia. In. mm | | A Inside Dia. in. mm | | B Head Dia. in. mm | | C Overall Hgt. in. mm | |
| -1 -2 | .062 1,6 | .500 12,7 | S 50 | 1/4 | 6,4 | 9/16 | 14,3 | 17/64 | 6,7 |

SHORTY BUSHINGS

Available Material: Nylon 6/6
 Color: Black or White

Underwriters' Laboratories File #E-15331
 Canadian Standards Association File #LR-8919
 Flammability: 94V-2.
 Temperature index: 125°C.
 Maximum temperature on the part should not exceed 105°C.



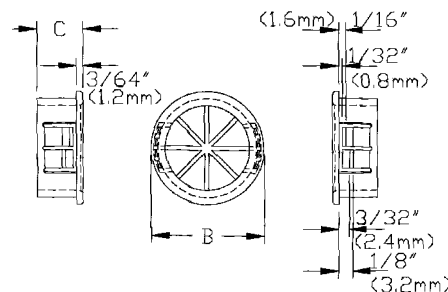
Part No. CN118 - (Size Code No.)

| Size Code No. Thickness Black White | CHASSIS DIMENSIONS | | UL/CSA Description | PART DIMENSIONS | | | | | |
|---|-----------------------------|--------------------|-----------------------|----------------------------|--------------------------|-------|-----------------------------|-------|-------------|
| | Maximum Hole Dia. in. mm | Mounting in. mm | | Inside Dia. Description | A Head Dia. in. mm | | B Overall Hgt. in. mm | | C in. mm |
| -1 -2 | .062 1,6 | 4,7 | B 187-125 | .125 | 3,2 | 1/4 | 6,3 | 15/64 | 6,0 |
| -3 -4 | | | B 218-125 | .125 | 3,2 | 9/32 | 7,1 | | |
| -5 -6 | | | B 281-218 | .281 | 5,5 | 11/32 | 8,7 | | |
| -7 -8 | | | B 312-250 | .250 | 6,4 | 3/8 | 9,5 | | |
| -9 -10 | | | B 343-218 | .218 | 5,5 | 13/32 | 10,3 | 1/4 | 6,3 |
| -11 -12 | | | B 375-250 | .250 | 6,4 | 7/16 | 11,1 | | |
| -13 -14 | | | B 406-281 | .281 | 7,1 | 15/32 | 11,9 | | |
| -15 -16 | | | B 437-312 | .312 | 7,9 | 1/2 | 12,7 | | |
| -17 -18 | | | B 468-343 | .343 | 8,7 | 17/32 | 13,5 | | |
| -19 -20 | | | B 500-375 | .375 | 9,5 | 9/16 | 14,3 | | |
| -21 -22 | | | B 531-406 | .406 | 10,3 | 19/32 | 15,1 | | |
| -23 -24 | | | B 593-468 | .468 | 11,9 | 21/32 | 16,7 | | |
| -25 -26 | | | B 625-500 | .500 | 12,7 | 45/64 | 17,9 | | |
| -27 -28 | | | B 750-625 | .625 | 15,9 | 53/64 | 21,0 | | |
| -29 -30 | | | B 781-625 | .625 | 15,9 | 55/64 | 21,8 | | |
| -31 -32 | | | B 875-750 | .750 | 19,0 | 15/16 | 23,8 | | |

UNIVERSAL BUSHINGS

Available Material: Nylon 6/6
 Color: Black

Underwriters' Laboratories File #E-15331
 Canadian Standards Association File #LR-8919
 Flammability: 94V-2.
 Temperature index: 125°C.
 Maximum temperature on the part should not exceed 105°C.



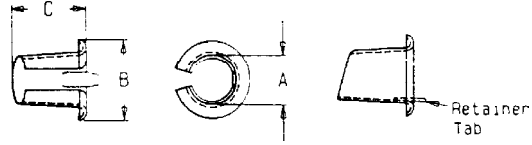
Part No. CN120 - (Size Code No.)

| Size Code No. | CHASSIS DIMENSIONS | | UL/CSA Description | PART DIMENSIONS | | | | | |
|------------------|-----------------------------|------------------------------|-----------------------|-----------------------|--------------------------|--------|-----------------------------|-------|-----------------------------|
| | Maximum Thickness In. mm | Mounting Hole Dia. In. mm | | Inside Dia. In. mm | A Head Dia. In. mm | | B Overall Hgt. In. mm | | C Overall Hgt. In. mm |
| -1 | .125 3,2 | .625 15,9 | UB-625 | 7/16 | 11,1 | 23/32 | 18,3 | 13/32 | 10,3 |
| -2 | | .750 19,0 | UB-750 | 1/2 | 12,7 | 55/64 | 21,8 | 25/64 | 9,9 |
| -3 | | .812 20,6 | UB-812 | 1/2 | 12,7 | 57/64 | 22,6 | | |
| -4 | | .875 22,2 | UB-875 | 9/16 | 14,3 | 15/16 | 23,8 | | |
| -5 | | 1.000 25,4 | UB-1000 | 3/4 | 19,0 | 1-1/16 | 27,0 | 29/64 | 11,5 |
| -6 | | 1.093 27,8 | UB-1093 | 13/16 | 20,6 | 1-5/32 | 29,4 | | |
| -7 | | 1.375 34,9 | UB-1375 | 1 | 25,4 | 1-7/16 | 36,5 | | |

ARMOR BUSHINGS

Available Material and Color: Polyethylene, Red

Underwriters' Laboratories File (Pending)
 Canadian Standards Association File #LR-24719
 Use with Flexible Armored Cable (BX) and Flexible
 Metallic Conduit (FMC) to insulate rough cut conduit ends.
 Temperature: Suitable as low as -40°F (-40°C).



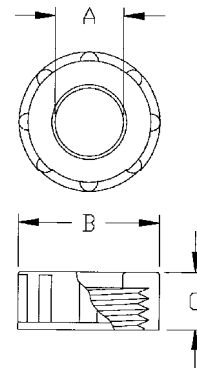
Part No. **CN230** - (Size Code No.)

| Size Code No. | Fits the Armored Cables below (AWG/Conductors) | UL/CSA Description | PART DIMENSIONS | | | | | |
|---------------|--|--------------------|------------------|------|----------------|------|-------------------|------|
| | | | A Inside Dia. | | B Head Dia. | | C Overall Hgt. | |
| | | | In. | mm | In. | mm | In. | mm |
| -1 | 14/2, 14/3, 12/2, 12/3 | AB-0 | .370 | 9,4 | .680 | 17,3 | .580 | 14,7 |
| -3 | 14/4, 6/1, 4/1 | AB-1 | .440 | 11,2 | .700 | 17,8 | .630 | 16,0 |
| -5 | 12/4, 10/2, 10/3, 2/1 | AB-2 | .570 | 14,0 | .850 | 21,6 | .640 | 16,3 |

THREADED INSULATED BUSHINGS

Available Material: (see chart below)

Underwriters' Laboratories File #E-28430
 Canadian Standards Association File #LR-21831
 Flammability: 94V-2.
 Temperature index: 125°C.
 Maximum temperature on the part should not exceed 105°C.



Part No. **CN231** - (Size Code No.)

| Size Code No. | Trade Size NPT | UL/CSA Description | Material & Color | PART DIMENSIONS | | | | | |
|---------------|----------------|--------------------|------------------------------------|------------------|------|----------------|------|-------------------|------|
| | | | | A Inside Dia. | | B Head Dia. | | C Overall Hgt. | |
| | | | | In. | mm | In. | mm | In. | mm |
| -1 | 1/8 | IB-1/8 | *Nylon 6/6, black | .268 | 6,8 | .530 | 13,4 | .298 | 7,6 |
| -2 | 1/4 | IB-1/4 | *Phenolic, black | .348 | 8,8 | .715 | 18,2 | .366 | 9,3 |
| -3 | 3/8 | IB-3/8 | *Phenolic, black | .468 | 11,9 | .875 | 22,2 | .466 | 11,8 |
| -4 | 1/2 | IB-1/2 | Fire Retardant Polypropylene, gray | .600 | 15,2 | 1.062 | 27,0 | .400 | 10,2 |
| -5 | 3/4 | IB-3/4 | | .796 | 20,2 | 1.300 | 33,0 | | |
| -6 | 1 | IS-1 | | 1.010 | 25,7 | 1.566 | 39,8 | .562 | 14,3 |

Size Code Nos. 7 thru 13 not available.

*Large quantities available in white.