

POWER TRANSISTOR MOUNTS

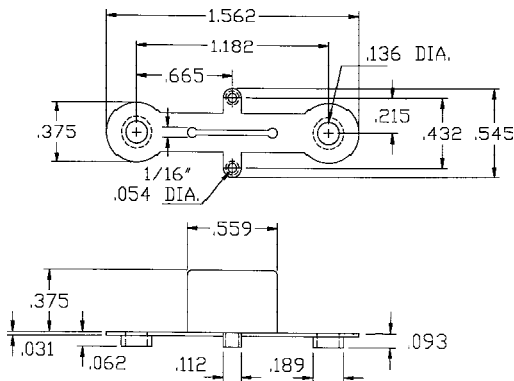
*Available in the following materials:

Material Code No.	Material Name
-18	Nylon 6/6, (natural)
-78	Nylon 6/6, (black)

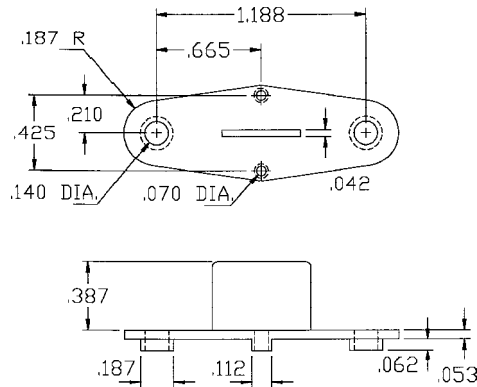
Part No. P146 - (Size Code No.) - (Material Code No.)

Size Code No.	Description
-1	Standard for TO-3
-2	Heavy Duty for TO-3
-3	Standard w/o Barrier for TO-3
-4	Heavy Duty w/o Barrier for TO-3
-5	Standard for TO-66
-7	Standard w/o Barrier for TO-66
-8	Heavy Duty w/o Barrier for TO-66

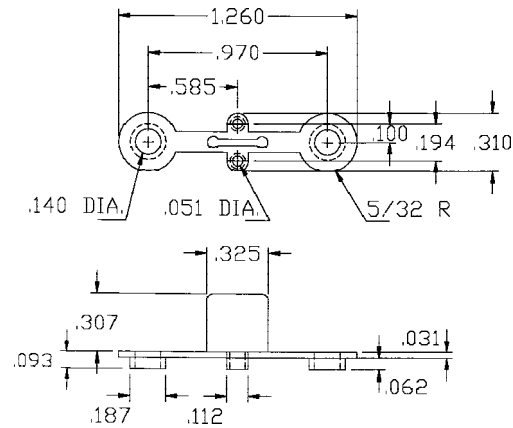
Size Code No. -1 and -3



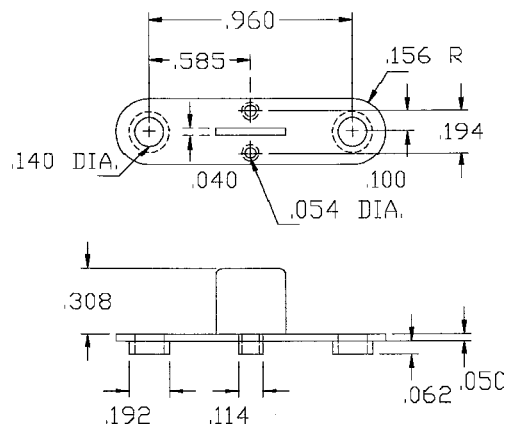
Size Code No. -2 and -4



Size Code No. -5 and -7



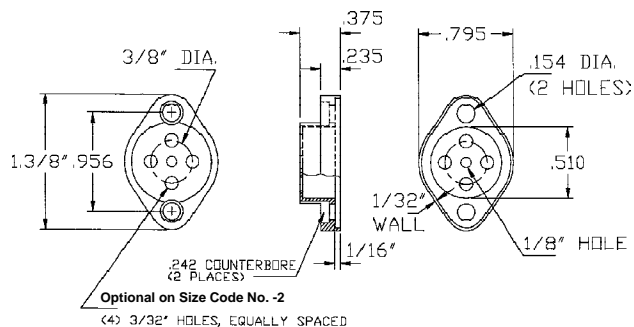
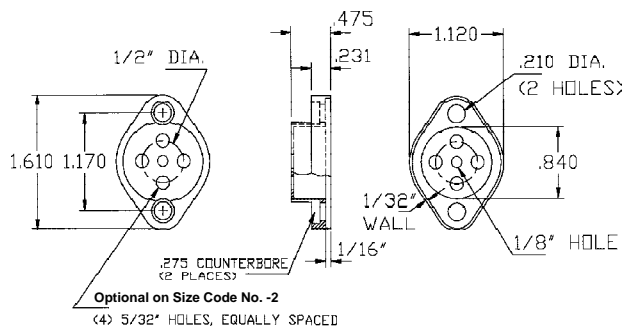
Size Code No. -6 and -8



POWER TRANSISTOR COVERS

Available in the following materials:

Material Code No.	Material Name
-18	Nylon 6/6, (natural)
-78	Nylon 6/6, (black)



Part No. P143 - (Size Code No.) - (Material Code No.)

Size Code No.	Description
-1	1 Hole
-2	5 Hole
-3	No Hole

Part No. P144 - (Size Code No.) - (Material Code No.)

Size Code No.	Description
-1	1 Hole
-2	5 Hole
-3	No Hole

CAPACITOR MOUNTS

Available in the following materials:

Material Code No.	Material Name
-18	Nylon 6/6, (natural)
-78	Nylon 6/6, (black)

Part No. P145 - (Size Code No.) - (Material Code No.)

Size Code No.	A	B	C	D	E	F
-1	.100	.045	.022	.050/.070	.180	.090
-2	.150	.045	.022	.090/.125	.270	.125
-3	.200	.045	.022	.090	.290	.090

