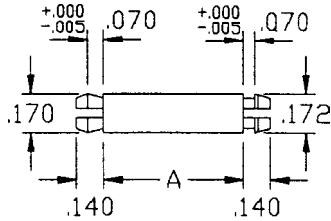


# PRINTED CIRCUIT BOARD FIXTURES

\*Available in the following materials:

Material Code No.	Material Name
-18	Nylon 6/6, (natural)
-78	Nylon 6/6, (black)

## P.C.B. POSTS



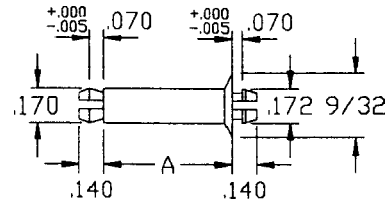
Part No. P114 - (Size Code No.) - (Material Code No.)

Size Code No.	"A"	Size Code No.	"A"
-1	.125	-6	.506
-2	.250	-7	.645
-3	.312	-8	.750
-4	.375	-9	.875
-5	.437	-10	1.000

Fits Hole Size .156 +/- .002"

-11	.437*
-----	-------

\*Fits Hole Size .093"



Part No. PN115 - (Size Code No.) - (Material Code No.)

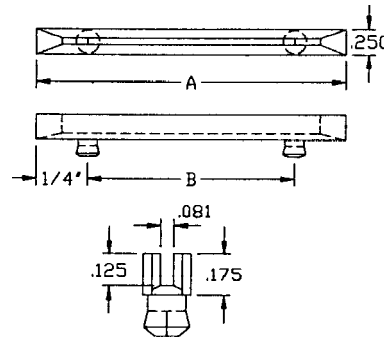
Size Code No.	"A"	Size Code No.	"A"
-1	.125	-7	.625
-100	.156	-8	.685
-2	.250	-9	.750
-3	.312	-10	.875
-4	.375	-11	1.00
-5	.437	-12	1.80
-6	.500		

Fits Hole Size .156 +/- .002"

## P.C.B. CARD GUIDES

Part No. PN134 - (Size Code No.) - (Material Code No.)

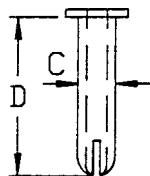
Size Code No.	A	B	L
-1	2.5	2.0	2.50
-2	3.0	2.5	3.00
-3	3.5	3.0	3.50
-4	4.0	3.5	4.00
-5	4.5	4.0	4.50
-6	5.5	5.0	5.50
-7	6.0	5.5	6.00



## TWO PIECE NYLON FASTENER FOR P.C.B. EDGE CONNECTOR ASSEMBLY

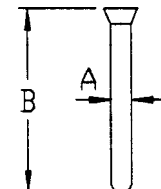
Part No. P140 - (Size Code No.) - (Material Code No.)

Size Code No.	C	D
-1	.109	.305
-2	.110	.350
-3	.110	.480
-4	.096	.340



Part No. P141 - (Size Code No.) - (Material Code No.)

Size Code No.	A	B
-1	.069	.330
-2	.069	.360
-3	.069	.455
-4	.062	.340

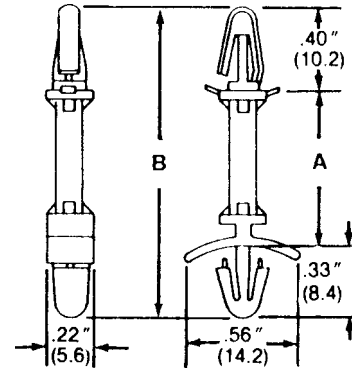


## CIRCUIT BOARD LOCKING SUPPORTS

Available Material: Nylon, (natural)

Part No. C614 - (Size Code No.)

Size Code No.	Dimension inches mm		Hole Diameter inches mm		Panel Thickness inches mm	
	A	B				
-1	.187	.92	For Circuit Boards			
-2	.250	.98				
-3	.375	1.11				
-4	.500	.23	For Chassis			
-5	.625	1.35				
-6	.750	1.48				
	19,1	37,5	.187	4,75	.03	0,76
			to		to	
			.192	4,88	.08	2,0



## CIRCUIT BOARD POSTS

Available Material: Nylon, (natural)

Part No. C615 - (Size Code No.)

Size Code No.	Dimension inches mm		Hole Diameter inches mm		Panel Thickness inches mm	
	A	B				
-1	.125	.405	For Circuit Boards or Chassis			
-2	.250	.530				
-3	.312	.592				
-4	.375	.655				
-5	.500	.780				
-6	.625	.905				
-7	.750	1.030				
-8	.875	1.155				
-10	1.000	1.280				
	25,4	32,5				

