

# LED Assemblies



## Panel Mount Assemblies



- Available in Wide Range Of Voltages
- Press Fit Mounting Lowers Labor Costs
- Terminal Or Wire Leads
- Housing Made From 94V-0 Nylon

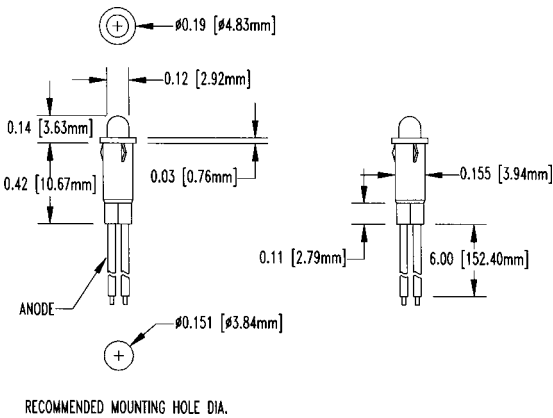
**94V-0**

**U.L. RATED MATERIALS**

### PM3

#### SERIES

T-1(3mm) Panel Mount

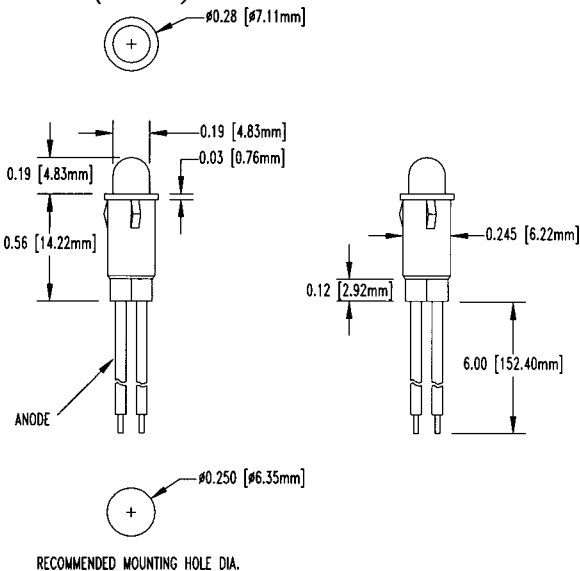


- Note: 1. PM5 Series can be ordered with 2 pin header connector by adding the suffix **-CC** or **-CC2** to the part number.  
 2. PM3 & PM5 Series can be ordered without 6" 24 AWG Wire Leads with U.L. 1061 Insulation by deleting the suffix **-W6** from the part number.

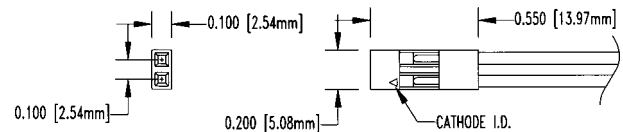
### PM5

#### SERIES

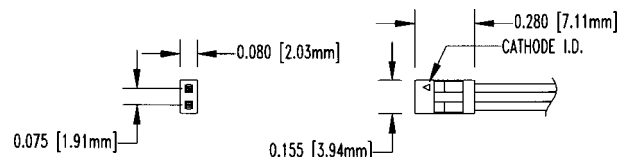
T-1¼ (5mm) Panel Mount



PART NO.	COLOR	PEAK (nm)	TYP VF	TYP IF	TYP mcd
PM3HDW6	HE RED	635	2.0	20mA	10.0
PM3GDW6	GREEN	565	2.0	20mA	16.0
PM3YDW6	YELLOW	585	2.0	20mA	6.3
<b>LOW CURRENT</b>					
PM3HDLW6	HE RED	635	2.0	10mA	1.8
PM3GDLW6	GREEN	565	2.0	10mA	1.6
PM3YDLW6	YELLOW	585	2.0	10mA	1.6
<b>5 VOLT</b>					
PM3HD5VW6	HE RED	635	5.0	13mA	8.0
PM3GD5VW6	GREEN	565	5.0	13mA	8.0
PM3YD5VW6	YELLOW	585	5.0	13mA	8.0
<b>12 VOLT</b>					
PM3HD12VW6	HE RED	635	12.0	13mA	4.0
PM3GD12VW6	GREEN	565	12.0	13mA	4.0
PM3YD12VW6	YELLOW	585	12.0	13mA	4.0



**-CC Option**



**-CC2 Option**

PART NO.	COLOR	PEAK (nm)	TYP VF	TYP IF	TYP mcd
PM5HDW6	HE RED	635	2.0	20mA	10.0
PM5GDW6	GREEN	565	2.0	20mA	16.0
PM5YDW6	YELLOW	585	2.0	20mA	6.3
<b>LOW CURRENT</b>					
PM5HDLW6	HE RED	635	2.0	10mA	1.8
PM5GDLW6	GREEN	565	2.0	10mA	1.6
PM5YDLW6	YELLOW	585	2.0	10mA	1.6
<b>5 VOLT</b>					
PM5HD5VW6	HE RED	635	5.0	13mA	8.0
PM5GD5VW6	GREEN	565	5.0	13mA	8.0
PM5YD5VW6	YELLOW	585	5.0	13mA	8.0
<b>12 VOLT</b>					
PM5HD12VW6	HE RED	635	12.0	13mA	4.0
PM5GD12VW6	GREEN	565	12.0	13mA	4.0
PM5YD12VW6	YELLOW	585	12.0	13mA	4.0