



- **Highly Transmissive Polycarbonate Material**
- **Secures To PCB By Press-Fit**
- **Water Clear Lens Appearance**
- **Wide Viewing Angle**

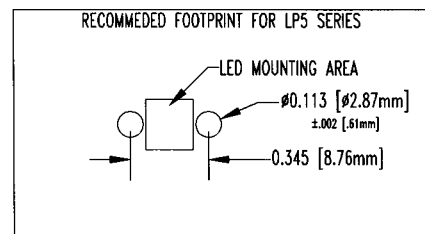
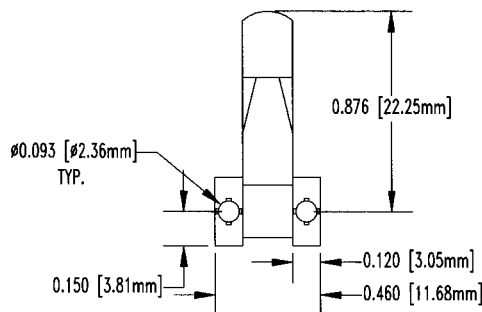
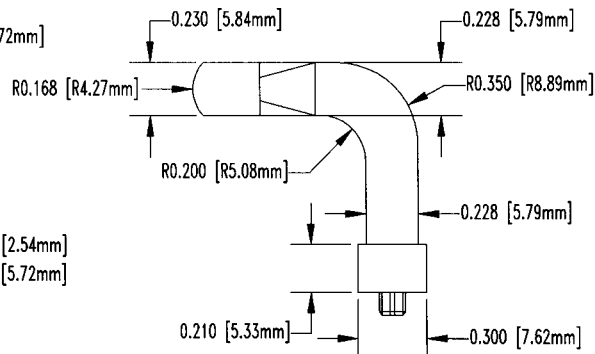
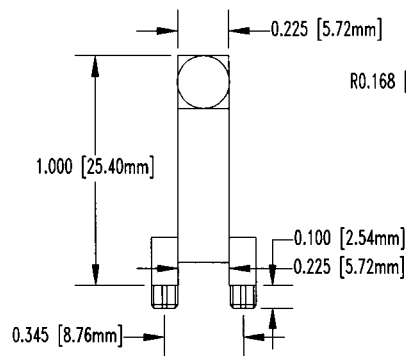
The LP5 Light Pipes are mounted in a straight line on 0.400" (10.15mm) centers. The LP5 light pipe material is water clear transmissive polycarbonate 94V-0 Rated Material. The rounded light pipe is intended for post reflow insertion into the PCB.

Additional centerlines and configurations are available. Consult the factory for expert custom light pipe application assistance.

LP5-1000

SERIES

LP5 Light Pipes, Color: Clear



Material Specifications:

Clear Polycarbonate

Oxygen Rating Index: Over 28%

Standard Drawing Tolerances,
unless otherwise indicated:

Fractions	± 1/64 [0.40]
.X	± 1/64 [0.40]
.XX	± .010 [0.254]
.XXX	± .005 [0.127]

