

Vertical Mounts for Diodes and Resistors

Vertical mounting reduces board space requirements over 50%.

Material Specifications:

Temperature resistant black thermoplastic (PBT) body per MIL-P-46161, Grade B, Class 30, U.L. Rated 94V-0.



Oxygen Rating Index: Over 28%

Standard Drawing Tolerances, unless otherwise indicated:

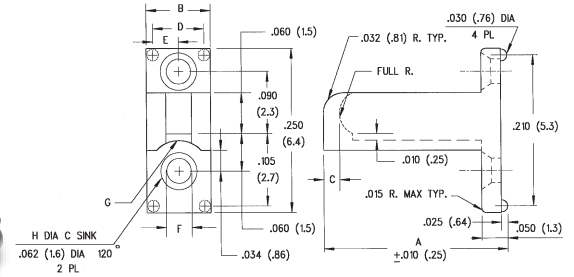
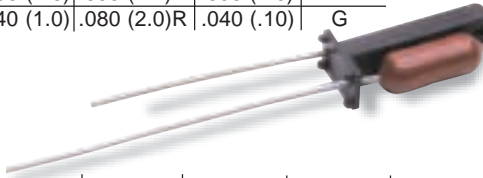
Fractions: = ± 1/64 (.40)

.X = ± 1/64 (.40) .XX = ± .010 (.254) .XXX = ± .005 (.127)

Height	.312"	.437"	.562"
Single	3121-004	4371-005	5621-006
Double	3122-010	4372-011	5622-012
Triple	3123-016	4373-017	5623-018
Quad	3124-022	4374-023	5624-024
USE WITH:	DO-34 & 35 Diodes 1/8 Watt Resistors	DO-7 Diodes 1/4 Watt Resistors	1/2 Watt Resistors

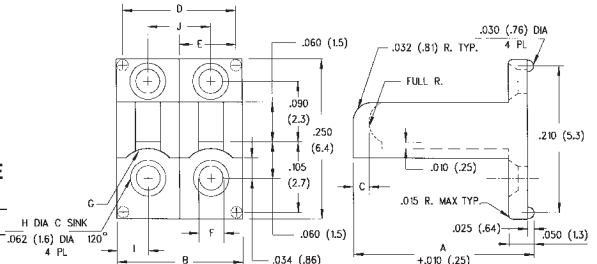
PART NO.	A55485/11	A	B	C	D	PRICE
3121-004	-004	.312 (7.9)	.100 (2.5)	.030 (.76)	.060 (1.5)	B
4371-005	-005	.437 (11.1)	.100 (2.5)	.030 (.76)	.060 (1.5)	F
5621-006	-006	.562 (14.3)	.150 (3.8)	.040 (1.0)	.110 (2.8)	G

PART NO.	A55485/11	E	F	G	H	PRICE
3121-004	-004	.030 (.76)	.030 (.76)	.055 (1.4)R	.030 (.76)	B
4371-005	-005	.030 (.76)	.030 (.76)	.055 (1.4)R	.030 (.76)	F
5621-006	-006	.055 (1.4)	.040 (1.0)	.080 (2.0)R	.040 (1.0)	G



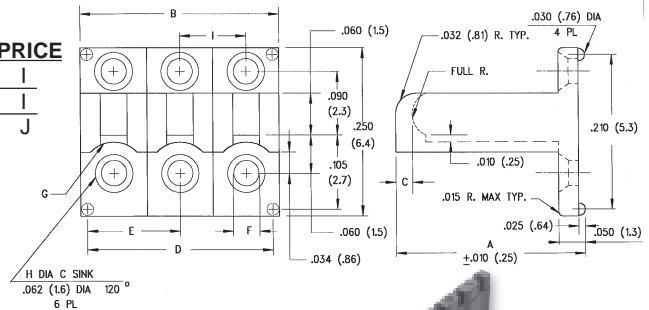
PART NO.	A55485/11	A	B	C	D	E	PRICE
3122-010	-010	.312 (7.9)	.200 (5.1)	.030 (.76)	.160 (4.1)	.080 (2.0)	G
4372-011	-011	.437 (11.1)	.200 (5.1)	.030 (.76)	.160 (4.1)	.080 (2.0)	H
5622-012	-012	.562 (14.3)	.300 (7.6)	.040 (1.0)	.260 (6.6)	.085 (3.3)	I

PART NO.	A55485/11	F	G	H	I	J	PRICE
3122-010	-010	.030 (.76)	.055 (1.4)	.030 (.76)	.050 (1.3)	.100 (2.5)	G
4372-011	-011	.030 (.76)	.055 (1.4)	.030 (.76)	.050 (1.3)	.100 (2.5)	H
5622-012	-012	.040 (1.0)	.080 (2.0)	.040 (1.0)	.075 (1.9)	.150 (3.8)	I



PART NO.	A55485/11	A	B	C	D	E	PRICE
3123-016	-016	.312 (7.9)	.300 (7.6)	.030 (.76)	.260 (6.6)	.130 (3.3)	I
4373-017	-017	.437 (11.1)	.300 (7.6)	.030 (.76)	.260 (6.6)	.130 (3.3)	I
5623-018	-018	.562 (14.3)	.450 (11.4)	.040 (1.0)	.410 (10.4)	.205 (5.2)	J

PART NO.	A55485/11	F	G	H	I	PRICE
3123-016	-016	.030 (.76)	.055 (1.4)R	.030 (.76)	.100 (2.5)	I
4373-017	-017	.030 (.76)	.055 (1.4)R	.030 (.76)	.100 (2.5)	I
5623-018	-018	.040 (1.0)	.080 (2.0)R	.040 (1.0)	.150 (3.8)	J



PART NO.	A55485/11	A	B	C	D	PRICE
3124-022	-022	.312 (7.9)	.400 (10.2)	.030 (.76)	.360 (9.1)	J
4374-023	-023	.437 (11.1)	.400 (10.2)	.030 (.76)	.360 (9.1)	J
5624-024	-024	.562 (14.3)	.600 (15.2)	.040 (1.0)	.560 (14.2)	K

PART NO.	A55485/11	E	F	G	H	PRICE
3124-022	-022	.180 (4.6)	.030 (.76)	.055 (1.4)R	.100 (2.5)	J
4374-023	-023	.180 (4.6)	.030 (.76)	.055 (1.4)R	.100 (2.5)	J
5624-024	-024	.280 (7.1)	.040 (1.0)	.080 (2.0)R	.150 (3.8)	K

PART NO.	A55485/11	I	J	K	L	PRICE
3124-022	-022	.100 (2.5)	.050 (1.3)	.150 (3.8)	.300 (7.6)	J
4374-023	-023	.100 (2.5)	.050 (1.3)	.150 (3.8)	.300 (7.6)	J
5624-024	-024	.150 (3.8)	.075 (1.9)	.225 (5.7)	.450 (11.4)	K

