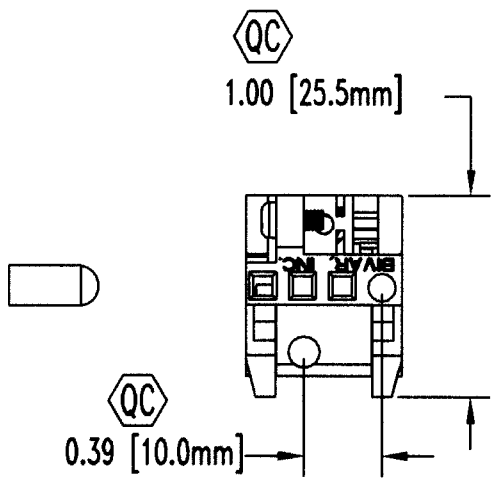
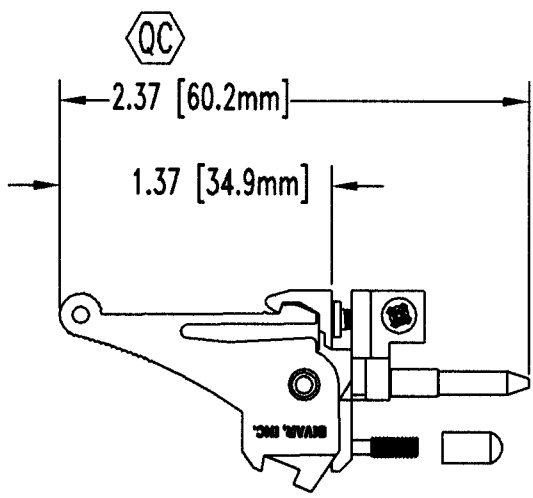
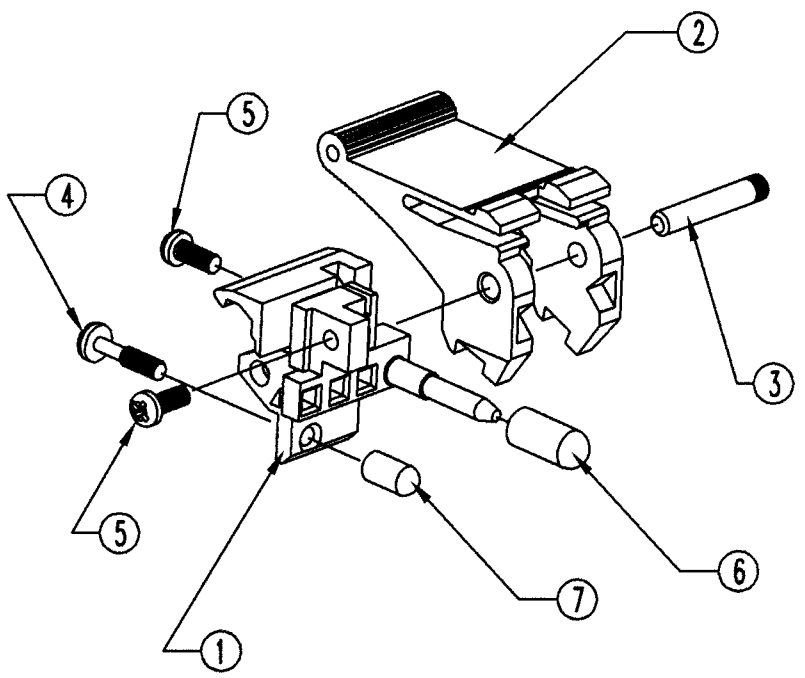
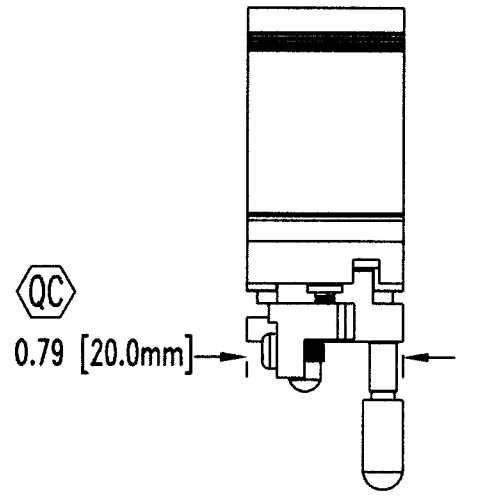
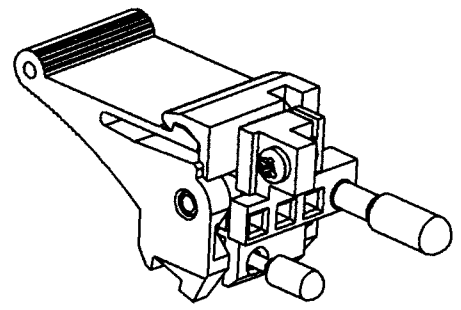
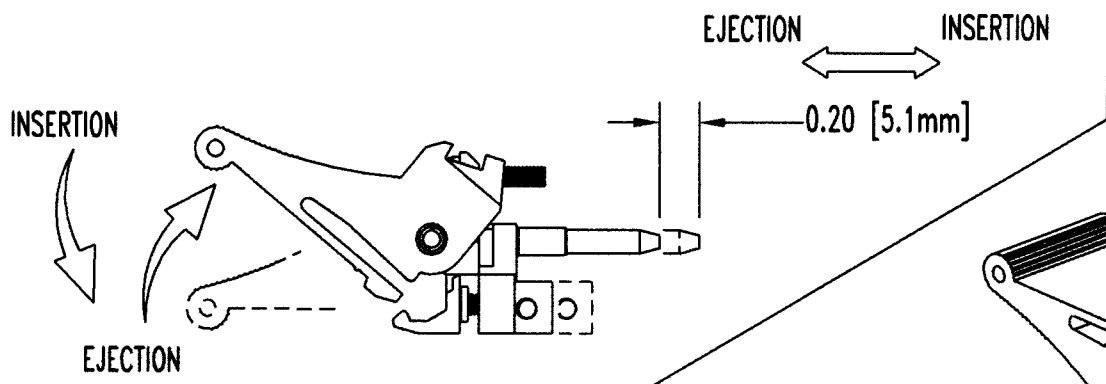


REV	DESCRIPTION	DATE	APPROVED



ITEM	Q'TY	PART NUMBER	PART DESCRIPTION
1	1	BP970B-BVR	BLOCK, TOP, KEYED EJECTOR HANDLE.
2	1	BP990-BVR	EJECTOR HANDLE, E1
3	1	BP990S	PIN, EJECTOR HANDLE PIVOT
4	1	BP971	M2.5 X 0.45 X 11mm CAPTIVE SCREW
5	2	BP972	M2.5 X 0.45 X 6mm PAN SCREW
6	1	BP975T	SLEEVE TUBE, EJECTOR PIN
7	1	BP975TS	SLEEVE TUBE, CAPTIVE SCREW

UNLESS OTHERWISE SPECIFIED:
DIMENSIONS ARE IN INCHES

TOLERANCES

DECIMALS

.X ± .015

.XX ± .010

.XXX ± .005

.XXXX ± .001

DESIGNER	DATE
Michael Chen	03/29/01
CHECKER	DATE
R. Diemert	4/10/01

Bivar[®]

4 THOMAS, IRVINE, CA.92618

TEL: (949) 951-8808 FAX: (949) 951-8874

PART NAME:
CPCI EJECTOR HANDLE, TOP, STYLE E1

SIZE	DWG. NO.	DWG. NO.	REV
A	P976B-BVR	CPCI-E1-T	NEW

SCALE 1=1 CAGE CODE 32559 SHEET 1 OF 1