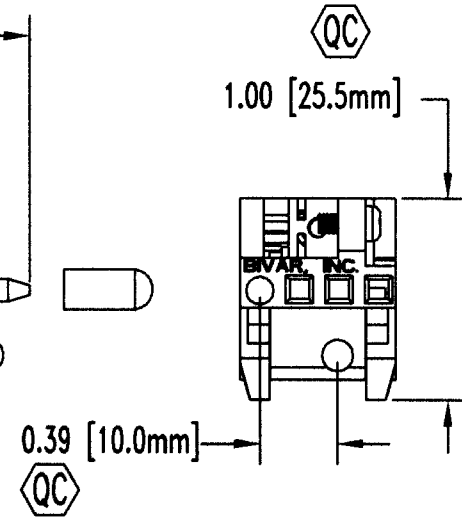
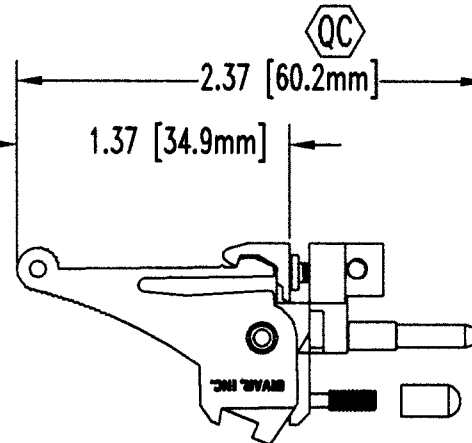
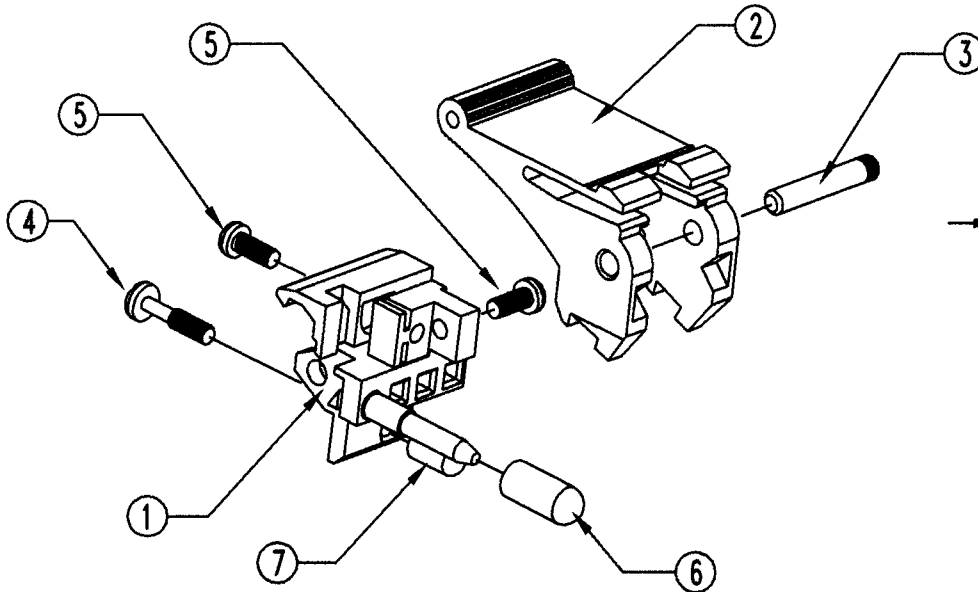
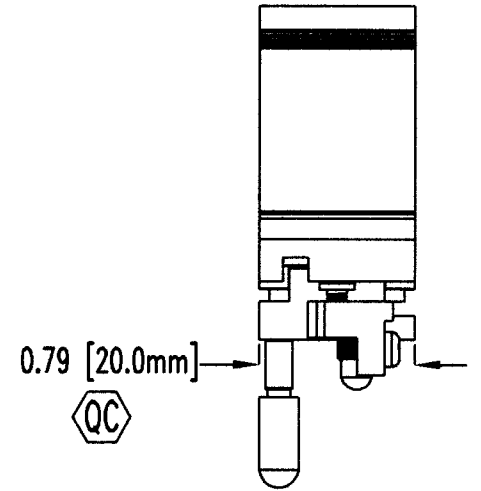
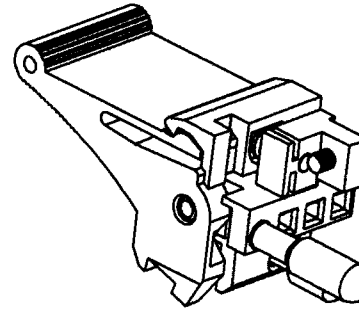
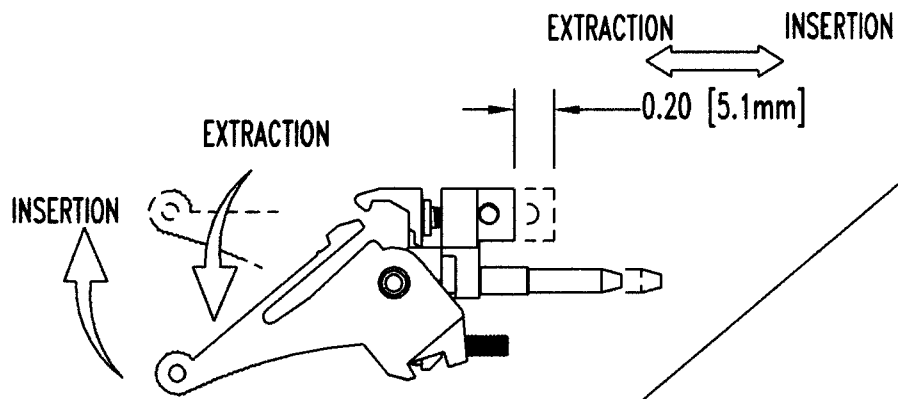


REV	DESCRIPTION	DATE	APPROVED



ITEM	Q'TY	PART NUMBER	PART DESCRIPTION
1	1	BP970A-BVR	BLOCK, BOTTOM, KEYED EJECTOR HANDLE.
2	1	BP990-BVR	EJECTOR HANDLE, E1
3	1	BP990S	PIN, EJECTOR HANDLE PIVOT
4	1	BP971	M2.5 X 0.45 X 11mm CAPTIVE SCREW
5	2	BP972	M2.5 X 0.45 X 6mm PAN SCREW
6	1	BP975T	SLEEVE TUBE, EJECTOR PIN
7	1	BP975TS	SLEEVE TUBE, CAPTIVE SCREW

UNLESS OTHERWISE SPECIFIED:
DIMENSIONS ARE IN INCHES

TOLERANCES
DECIMALS

.X ± .015
.XX ± .010
.XXX ± .005
.XXXX ± .001

DESIGNER: Michael Chen
DATE: 03/29/01

CHECKER: [Signature]
DATE: 4/10/01

Bivar
4 THOMAS, IRVINE, CA.92618
TEL: (949) 951-8808 FAX: (949) 951-3874

PART NAME:
CPCI EJECTOR HANDLE, BOTTOM, STYLE E1

SIZE: A
DWG. NAME: P976A-BVR
DWG. NO.: CPCI-E1-B
REV: NEW

SCALE: 1=1
CAGE CODE: 32559
SHEET: 1 OF 1